

AXC-EX 1000-P

explosion-proof medium pressure axial fan

Item number: [C1000AXCP-EX](#)

- Ex d three-phase asynchronous motors with squirrel cage rotor.
- Protection class IP55 (IEC 60034-5), insulation class F.
- The motors are equipped with PTC thermistors for motor protection.
- Speed controllable via frequency converter, suitable for turn down to 10 Hz.

The AXC-EX axial fans have been tested in Systemair's AMCA accredited Laboratory according to ISO 5801 and AMCA 210.

- Aluminum anti-spark ring.
- Pre-drilled, rolled Eurovent 1/2 flanges pressed on both sides provide additional stability.
- Manufactured from hot-dip galvanized sheet steel according to ISO 1461.

Casing:

- Dynamically balanced according to ISO 21940-11 and ISO 14694, balancing quality G6,3.
- Impellers with profiled blades made of cast aluminum alloy.
- The adjustable blade angle allows flexible and exact adjustment to the desired working point with optimum efficiency. The blade angle is pre-set in the factory.

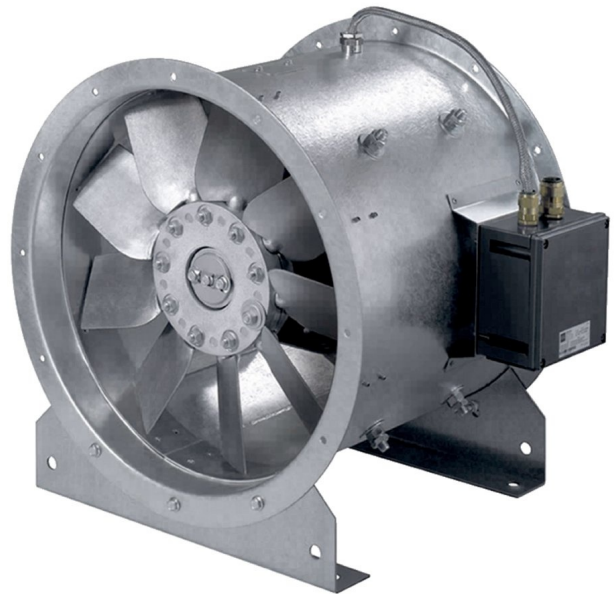
Impeller:

- Explosion proof marking: II 2G Ex h IIB+H2 T4 Gb
- The fans could be used for zones 1 or 2, field of application II, for gases of groups IIA, IIB and hydrogen and temperature classes T1 to T4. The fans are classified to category 2G. The fans are certified under the no TPS 21 ATEX 085751 0010 X.
- suitable for continuous operation in temperatures between -20°C and 60°C.

Axial fan of the AXC-EX series:

Motor:

- PV version: Includes bolt-on outlet guide vanes which increases fan pressure and efficiency.
- Pre-wired Ex e terminal box on fan casing for easy electrical connection, IP65 (IEC 60034-5).



Technical parameters

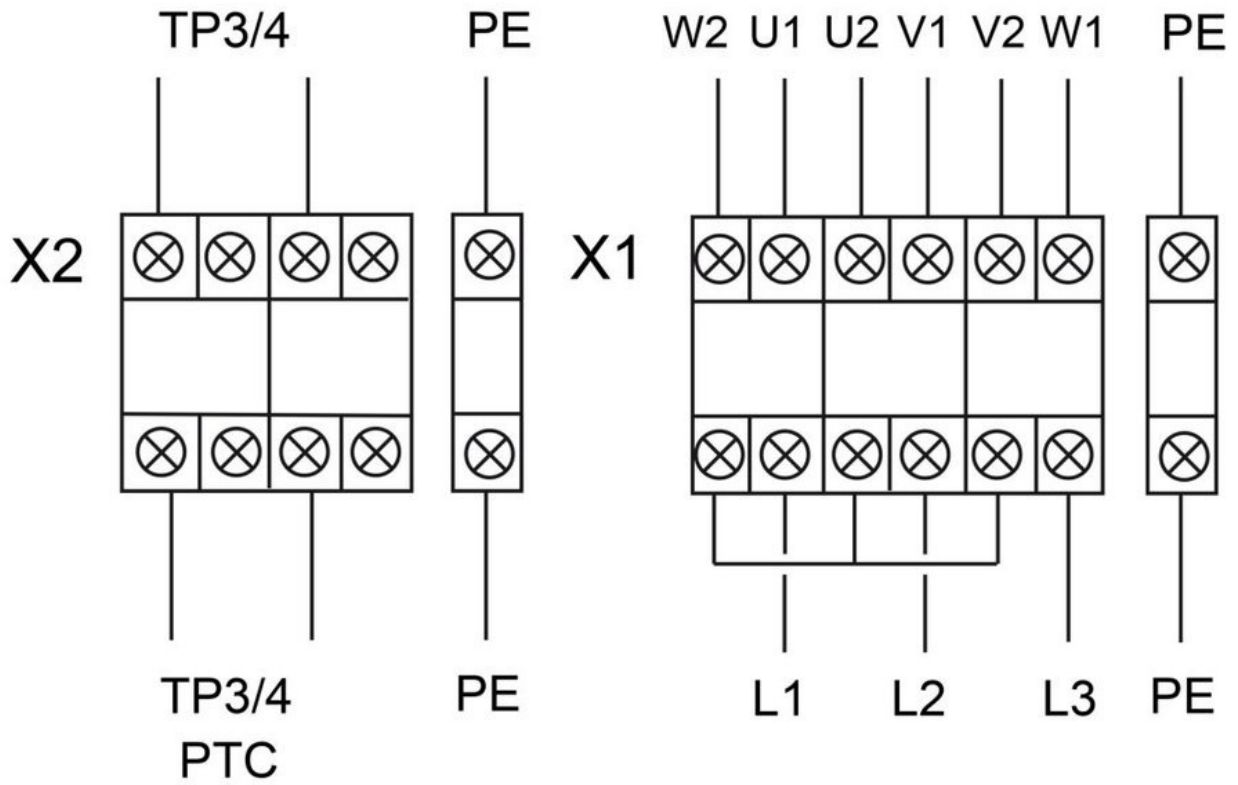
Dimensions and weights

Weight

0 kg

Wiring

400V 3~ (Y)





Contáctanos

Zapopan - Matriz

Periferico 2507, interior 14 y 15.
Sinergia Parque Logístico,
Zapopan, Jalisco.

800 841 3730
33 1654 1210

Cancún - Centro de distribución

Av. Kabah Supermanzana #93
Manzana 19 Lote 4-02Local B5 de
Bodegas Kabah.

800 890 0808
998 840 0937

Tijuana - Centro de distribución

Vía Rápida Oriente lotes 33 y 34,
Entre Campestre
y San José Oriente 3ra etapa Río

800 841 3730

Culiacán- Centro de distribución

Calzada Aeropuerto #7388
Col. Bachigualato,
Culiacán, Sinaloa.

800 890 46 47

Los Cabos - punto de venta

Calle av. de La Paz #2513
Col. Santa Rosa,
San Jose del Cabo, bcs.

624 131 3576
624 131 3579

Querétaro - Próxima apertura

Parque industrial SPARTEK
Carretera a comunidad
Palo Alto El Marques, Queretaro.

442 479 6336
442 628 5838